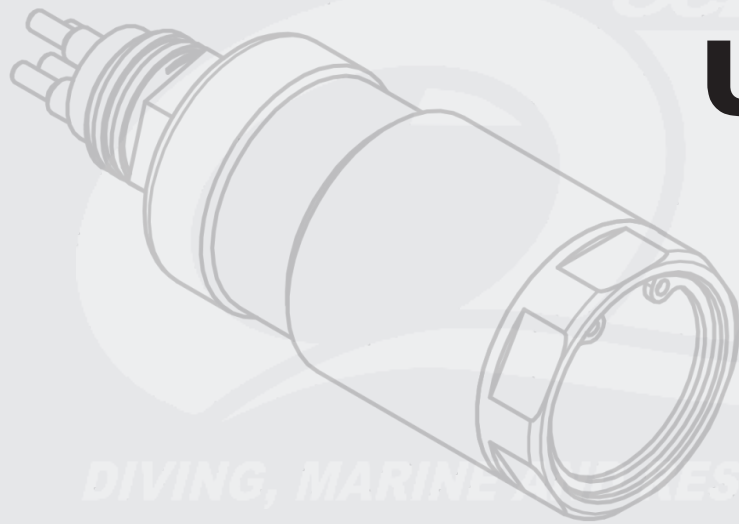


OCEANTECH



Underwater LED light O`Tools

DIVING, MARINE & RESCUE SYSTEMS

The underwater LED light is designed for use on small ROVs and for commercial divers. It is made of 316S stainless steel. Its small size makes it easy to mount to diving helmets, ROVs and many other underwater applications. Using the latest LED technology, it emits 2500 lumens of light.

SPECIFICATION

- Material - 316S stainless steel
- Illuminator - polycarbonate
- 3 PIN connector (compatible with OUTLAND connectors)
- Voltage - 24V
- Control - 24V
- Thermal protection - shutdown at 90° C
- Light color - cold
- LED - 2500 lumens

DIMENSION

- length with connector - 118mm
- length without connector - 70mm
- diameter - 36mm
- weight in air - 352g
- weight in water - 260g



Ocean-Tech Sp. z o.o. ul. Kaszubska Droga 13, 80-209 Chwaszczyno

tel. +58 711 76 85 | info@ocean-tech.pl | www.sklep.ocean-tech.pl